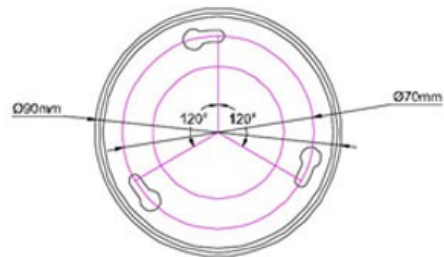
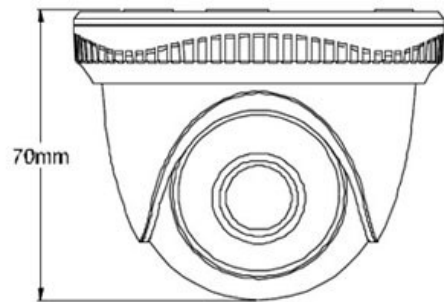


# CP- LAC-DC72L2

High Resolution IR Dome Camera - 20 Mtr.



## Main Features

- High Quality Image Sensor
- 720 TVL High Resolution
- 0.2 lux @ F1.2, 0 lux (IR ON)
- 3.6 mm Lens
- IR Range of 20 Mtr with 14 IR Leds
- AGC, AWB and BLC
- CE, FCC and RoHS Certified



# CP- LAC-DC72L2

## High Resolution IR Dome Camera - 20 Mtr.

Feature	Specification
Image Sensor	High Quality Image Sensor
Pixels	PAL:720H x 480V
Resolution	720 TVL
Min. Illumination	0.2lux(IR OFF), 0lux(IR ON)
S/N Ratio	more than 47dB
Lens	3.6 mm Lens
Gamma Correction	0.45
White Balance (AWB)	Auto
Gain Control (AGC)	Auto
Back Light Compensation	Auto
IR	IR Range of 20 Mtr.with 14 IR Leds
Sync	Internal Sync
Power Supply	DC 12V
Power Consumption	130mA (110-150mA)
Dimensions	(Φ)90mm x 70(H)
Weight	130g
Operating Temperature	-10°C~50°C
Storage Temperature	-20°C~60°C
Certifications	CE, FCC, RoHS